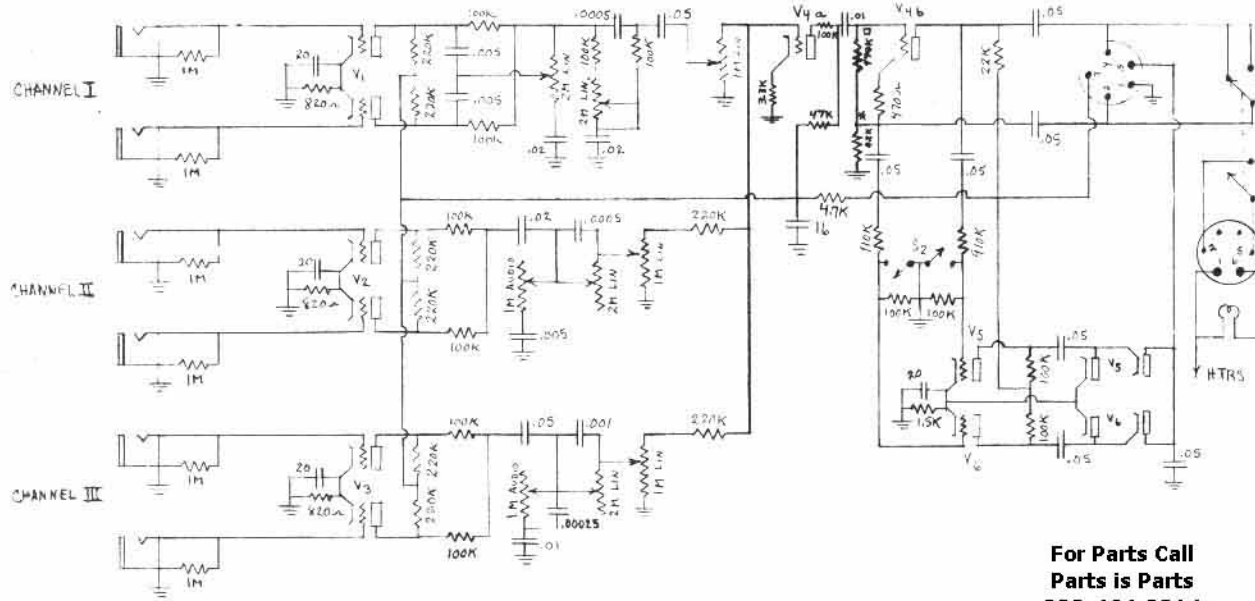
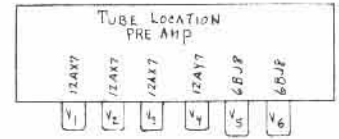


# GA-400



Tube Type & Ac	$E_p$	$E_{Sg}$	$E_g$	$E_k$
V1-12AX7 CHAN I PRE AMP	+135	—	0	+115
V2- " " " II " "	+110	—	0	+115
V3- " " " III " "	+105	—	0	+115
V4-12AX7 MIXER AMP	+137	—	0	+115
V5-12AX7 PHASE SPLITTER	+210	—	0	+115
V6-6B3 Comp. Amp + Rect.	+110	—	0	+115
V7-6SK7 DRIVER	+145	+42	-1	+115
V8- " " " "	+145	+42	-1	+115
V9-6550 PWR Amp	+570	+300	-33	0
V10- " " " "	+570	+300	-33	0
V11-6V6 VOLTAGE REG.	+570	+570	+285	+300
V12-6Z34 RECTIFIER	170 <sup>0</sup> RMS	—	—	+590

ALL DC READINGS WITH 11MEG VTVM MEASURED TO CHASSIS



**For Parts Call  
Parts is Parts  
802-464-0014  
800-590-0014  
email info@guitar-parts.com**

